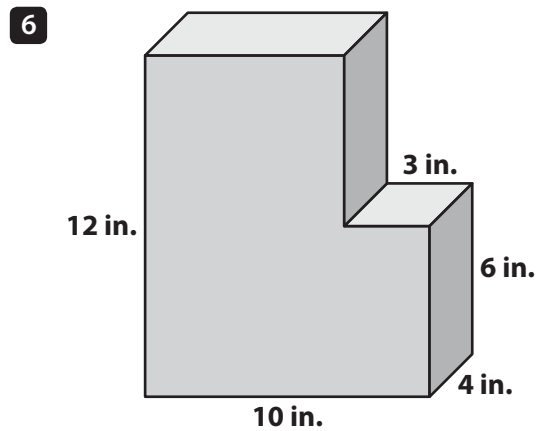
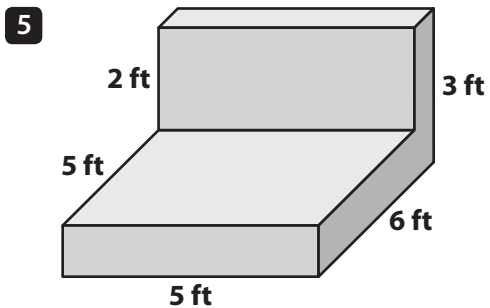
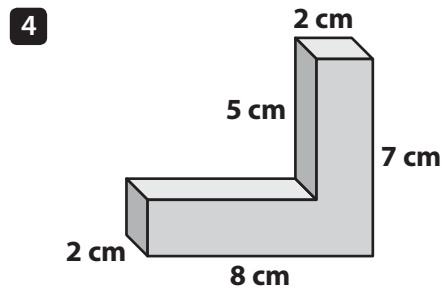
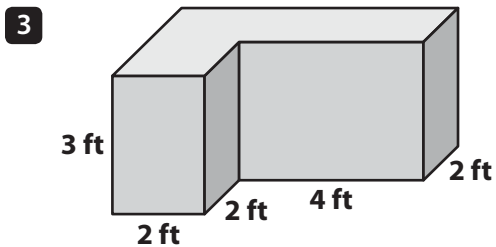
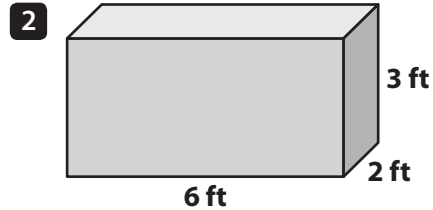
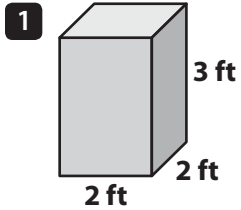


Breaking Apart Figures to Find Volume

Name: _____

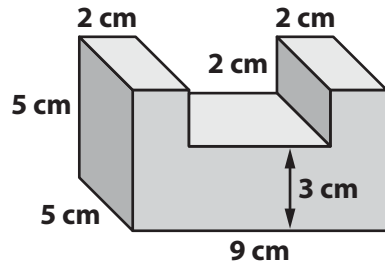
What is the volume of the solid figure?



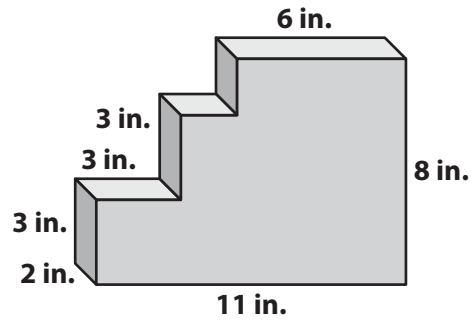
Breaking Apart Figures to Find Volume *continued*

Name: _____

7



8



9

What are two different ways to break apart the figure in problem 3 to find its volume?